

# Omnidirectional Back Electret Condenser Microphone Cartridge

## WM-64PN

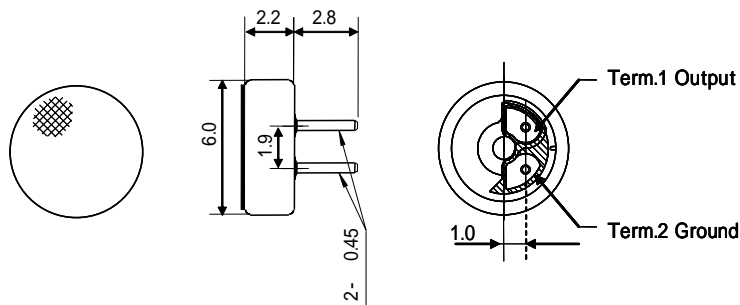
Small and thin omnidirectional microphone  
 Pin type for connector connection or direct-in to PCB  
 Back electret type designed for high resistance to vibrations  
 RFI protected for Dual band  
 10pF, 33pF capacitor inside

### Appearance

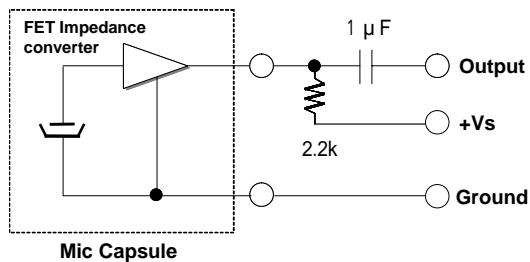


### Dimensional Drawing

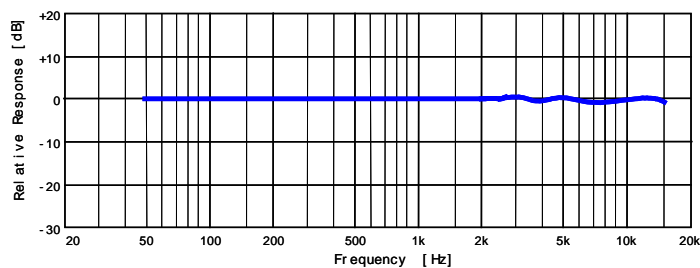
Unit : mm



### Schematic Diagram



### Typical Frequency Response Curve



### Sensitivity

(0dB=1V/Pa, 1kHz)

#### Sensitivity

-44+/-3dB

#### Model No.

WM-64PNT

Vs=2.0V  
 RL=2.2k

### Specifications

Dimensions	6 x 2.2 mm
Impedance	Less than 2.2k
Directivity	Omnidirectional
Frequency	20 - 16,000Hz
Max operation voltage	10V
Standard operation voltage	2V
Current consumption	Max 0.5mA
Sensitivity reduction	Within -3dB at 1.5V
S/N ratio	More than 58dB

Specifications are subject to change without notice.